



Electric Tankless A Series

Point of Use Applications

Features:

- Heat Exchangers are 100% stainless Steel
- Compact and Light Weight for easy install
- Advanced Power Modulation Can be installed in any position
- Safety Thermostatic Cut off
- LED Indicator lights shows Temperature stages

Benefits:

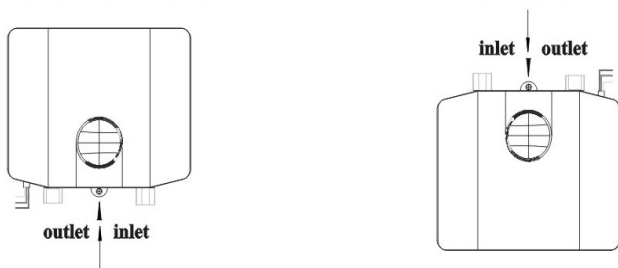
- Save up to 60% on Hot water heater costs
- Save Valuable Space
- Save Water by installing near applications
- Small enough to be installed under any counter
- ASTM 304 Stainless Steel Heat Exchangers
- Endless Supply of Hot Water!



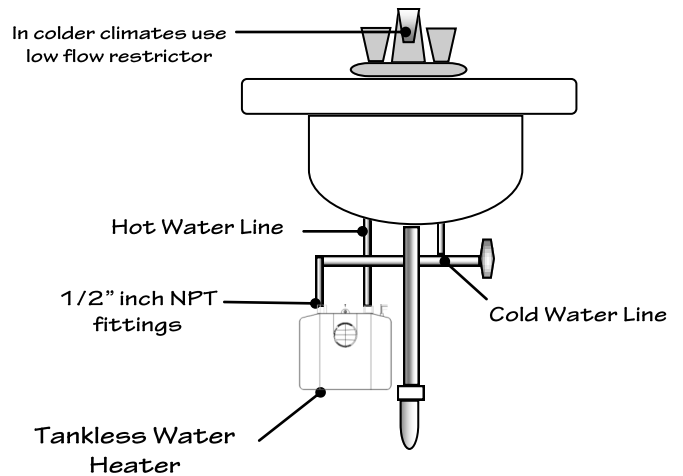
APPLICATIONS:

Kitchen Sinks, Utility Sinks, Bar Sinks, Manufacturing Facilities, Single Shower under 1.5 GPM, Hand Sinks

CAN BE INSTALLED IN ANY POSITION



SAMPLE COLD SUPPLY ONLY INSTALLATION



WARRANTY

- 1 Years Heat Exchangers
- 1-Year Internal Components
- 1-Year Heating Elements

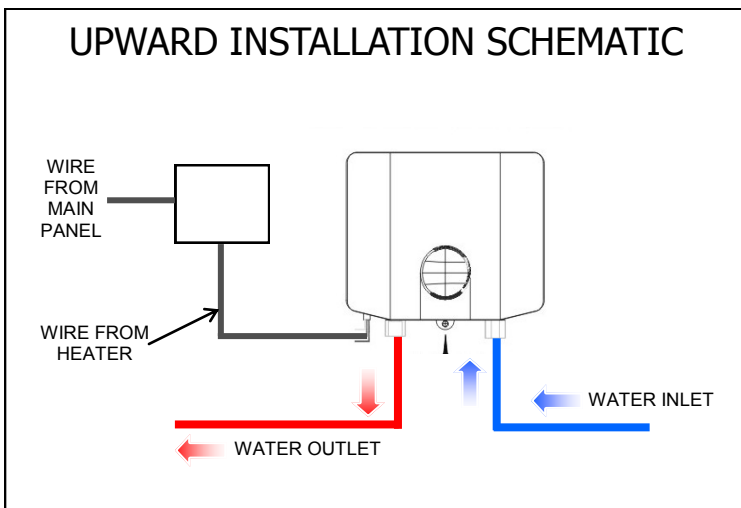
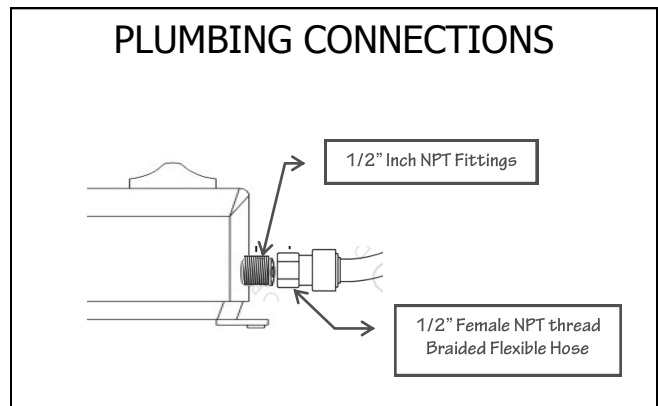
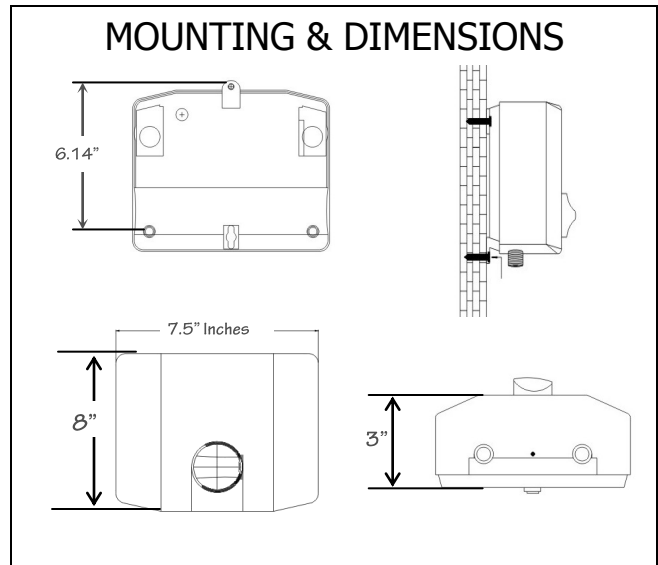
SPECIFICATIONS

Model	KW	Amps	Volts	AWG#	Height	Width	Depth	Weight
A-35	3.5	29	120	10-2	8	7.5	3	3.5
A-10	4.8	40	120	8-2	8	7.5	3	3.5
A-67	6	25	240	8-2	8	7.5	3	3.5

HOT SPOT A Series Specifications

Models A-10 / A-35 / A-67

Dimensions: 8" x 7.5" x 3" Inches
 Weight: 3.5 lbs.
 Cover: ABS Plastic
 Body/Heat Exchanger: ASTM 304 Stainless Steel
 Element: 1 Stainless Steel Submersed
 Pipe fittings: 1/2" NPT
 Activation flow rate: .48 gallon
 Operation Pressure: Min 25 PSI, Max 150
 Warranty 1-Year Heating elements / 1-Year components
 1-Year heat exchanger



IMPORTANT: This product must be installed by a qualified contractor in accordance with all State, and Local building codes.

warranty: 1-Year Heating Elements / 1- Year Internal Components / 1- Year Heat Exchanger

Model	kW RATING	VOLTS	AMPS	CURRENT PHASE	Activation Flow Rate	TEMPERATURE RISE PER GALLONS PER MINUTE				AWG#
						0.5 GPM	1.0 GPM	1.5 GPM	2.0 GPM	
A-35	3.5	120V	29	SINGLE	.48 GPM	47°F	24°F			10-2
A-10	4.8	120V	40	SINGLE	.48 GPM	64°F	32°F	22°F		10-2
A-67	6	240V	25	SINGLE	.48 GPM	80°F	41°F	27°F	21°F	8-2

SUGGESTED SPECIFICATIONS

(Based on applications given)



Tankless water heater to be used is Based on the following information given,

this tankless water heater max output is _____ kW, and draws _____ amps , on a _____ VAC voltage circuit,

To heat _____ GPM, @ a _____ Temperature rise.

Product shall have full ABS plastic enclosure. Will be equipped with a non-replaceable immersed heating element. Inlet and outlet water connections are 1/2" NPT. Product is also IXP 4 water proof. The product can be installed in its upright or downward position, it shall be installed with a shut off valve on inlet side of the heater, and should consider a pre-sediment filter, or de-scaler. NOTE: Check all of the electrical ratings on chart for product information, and proper circuit breaker selection. Product will be equipped with a pigtail wire already connected to terminal block inside the product, and its AWG is that of its maximum amperage capacity.

**Specifications of the product may vary depending on the voltage being used, iHeat Reserves the right to make changes without notice